

# LAYERED GREEN ROOF DETAILS

LGR1.01	[A-D] EXTENSIVE GREEN ROOF
LGR1.02	[A-C] SEMI-INTENSIVE GREEN ROOF
LGR1.03	[A-B] INTENSIVE GREEN ROOF
LGR2.01	SEDUM TILE/MAT
LGR2.02	SEDUM PLUG
LGR2.03	SEDUM CUTTINGS
LGR3.01	PEDESTAL PAVER VEGETATION FREE ZONE
LGR3.02	BALLAST ROCK VEGETATION FREE ZONE
LGR3.02	PAVER OVER BALLAST ROCK VEGETATION FREE ZONE
LGR4.01	WALKWAY- PAVER OVER BALLAST ROCK
LGR5.01	4.5" METAL EDGING
LGR5.02	4.5" METAL EDGING
LGR5.03	5.5" METAL EDGING
LGR5.04	5.5" METAL EDGING
LGR5.05	8.5" METAL EDGING
LGR6.01	IRRIGATION



TPG0.00

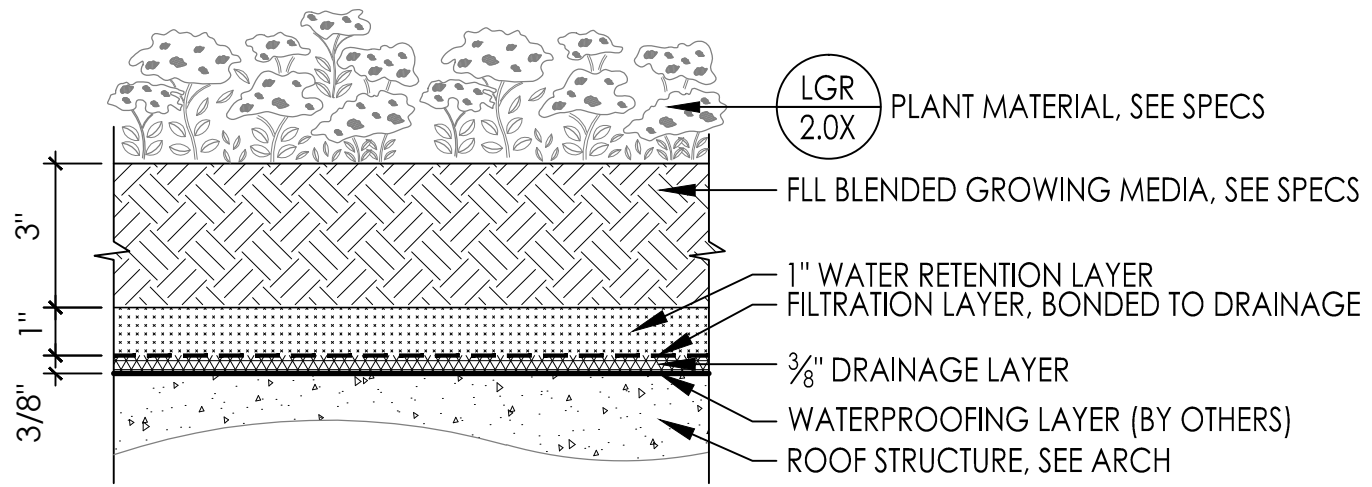
## LAYERED GREEN ROOF DETAILS

LAYERED SYSTEM

DETAIL SCALE: 2"=1'-0"

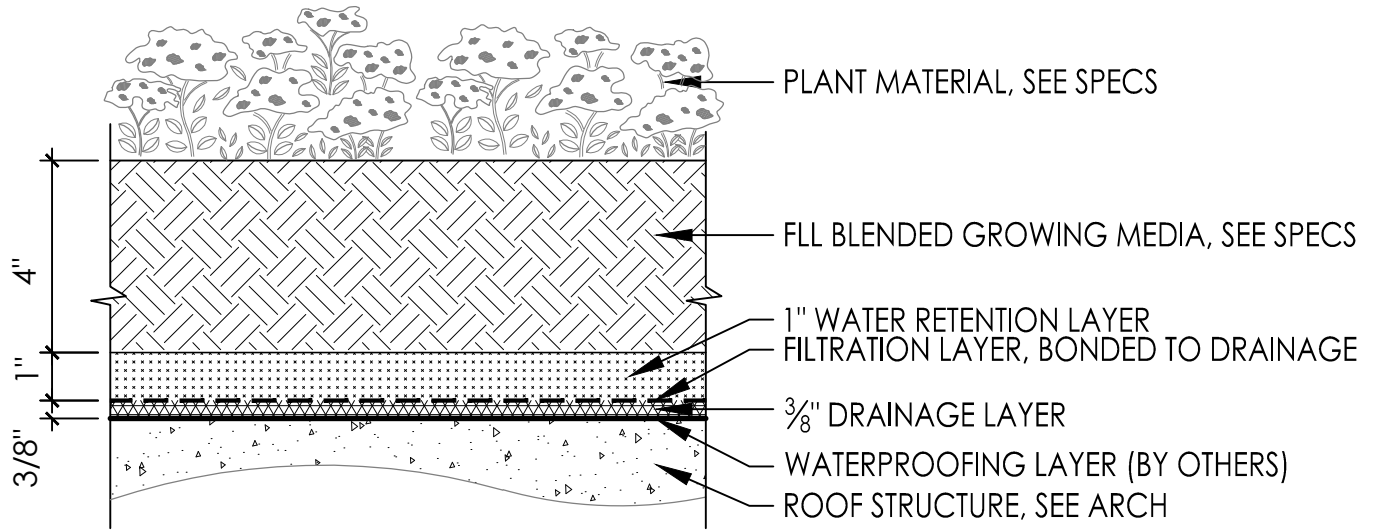
ISSUE DATE: 04/03/2014





NOTE:

1. SYSTEM COMPONENTS ARE SHOWN AT NOMINAL SIZE, COMPRESSION WILL OCCUR AT RETENTION LAYER BASED ON AMOUNT (HEIGHT/VOLUME) OF GROWING MEDIA PLACED ON SYSTEM. MAXIMUM COMPRESSION  $\frac{1}{8}$ "  $\pm$ .



NOTE:

1. SYSTEM COMPONENTS ARE SHOWN AT NOMINAL SIZE, COMPRESSION WILL OCCUR AT RETENTION LAYER BASED ON AMOUNT (HEIGHT/VOLUME) OF GROWING MEDIA PLACED ON SYSTEM. MAXIMUM COMPRESSION  $\frac{1}{8}" \pm$ .



LGR1.01b

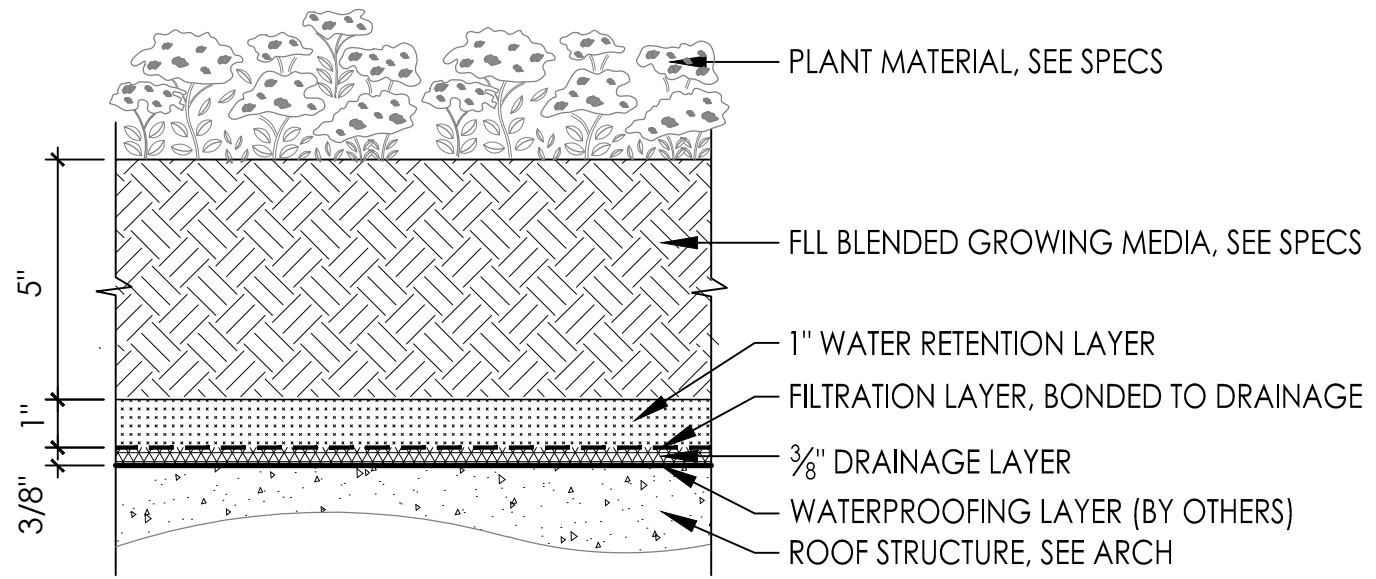
4" EXTENSIVE LAYERED GREEN ROOF

LAYERED SYSTEM

DETAIL SCALE: 3"=1'-0"

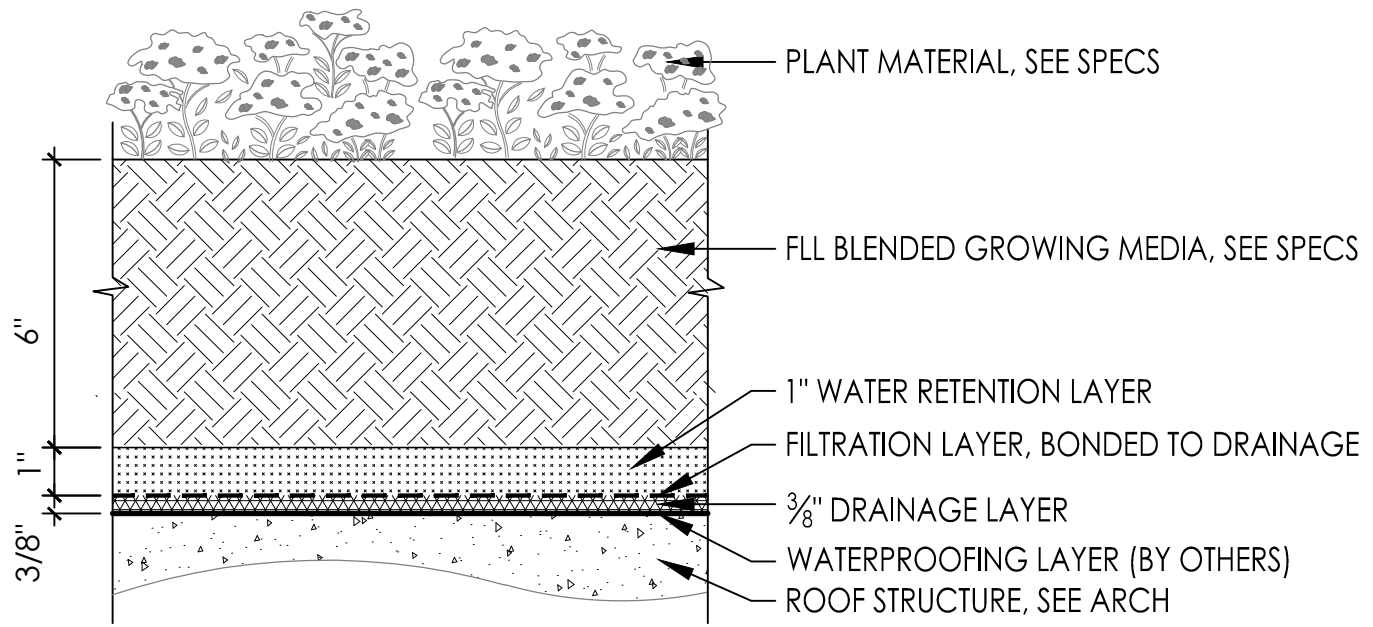
ISSUE DATE: 04/03/2014





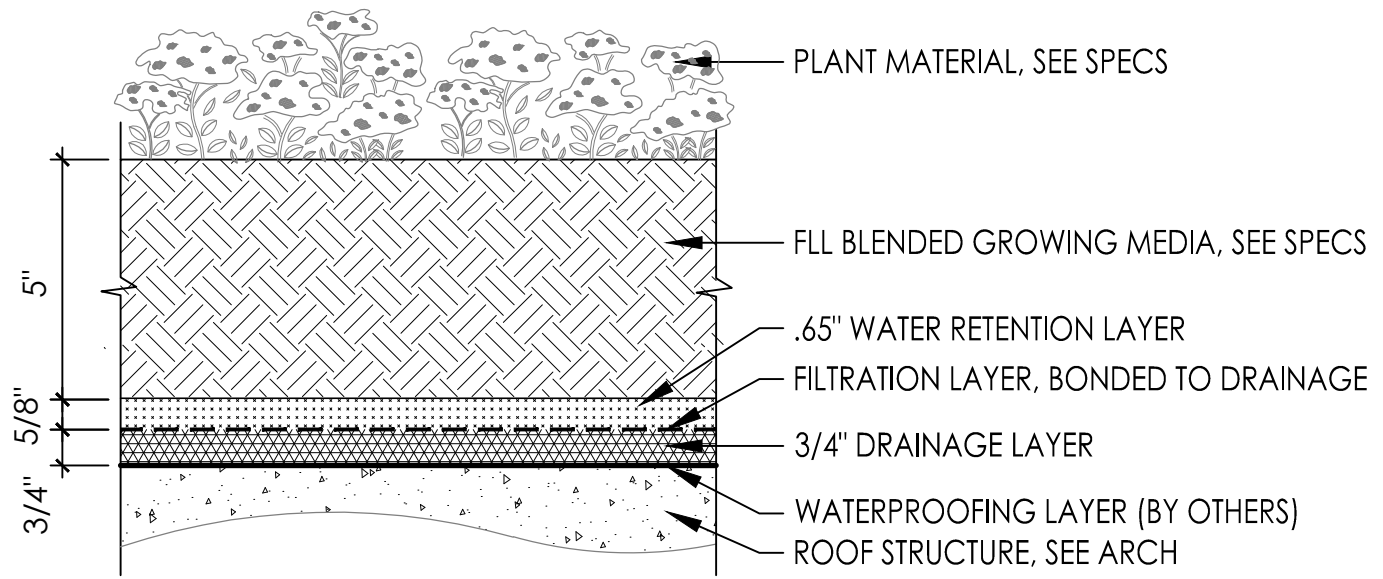
NOTE:

1. SYSTEM COMPONENTS ARE SHOWN AT NOMINAL SIZE, COMPRESSION WILL OCCUR AT RETENTION LAYER BASED ON AMOUNT (HEIGHT/VOLUME) OF GROWING MEDIA PLACED ON SYSTEM. MAXIMUM COMPRESSION  $\frac{1}{8}$ "  $\pm$ .



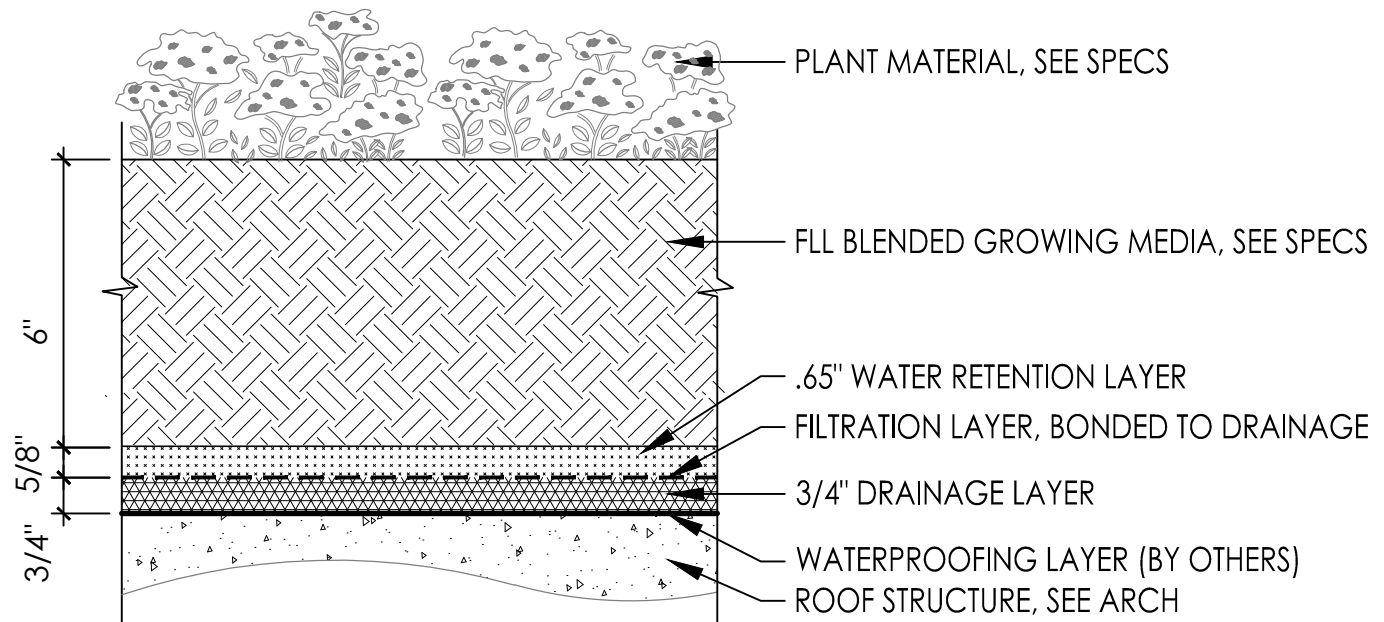
NOTE:

1. SYSTEM COMPONENTS ARE SHOWN AT NOMINAL SIZE, COMPRESSION WILL OCCUR AT RETENTION LAYER BASED ON AMOUNT (HEIGHT/VOLUME) OF GROWING MEDIA PLACED ON SYSTEM. MAXIMUM COMPRESSION  $\frac{1}{8}" \pm$ .



NOTE:

1. SYSTEM COMPONENTS ARE SHOWN AT NOMINAL SIZE, COMPRESSION WILL OCCUR AT RETENTION LAYER BASED ON AMOUNT (HEIGHT/VOLUME) OF GROWING MEDIA PLACED ON SYSTEM. MAXIMUM COMPRESSION  $\frac{1}{8}" \pm$ .



NOTE:

1. SYSTEM COMPONENTS ARE SHOWN AT NOMINAL SIZE, COMPRESSION WILL OCCUR AT RETENTION LAYER BASED ON AMOUNT (HEIGHT/VOLUME) OF GROWING MEDIA PLACED ON SYSTEM. MAXIMUM COMPRESSION  $\frac{1}{8}$ "  $\pm$ .



LGR1.02b

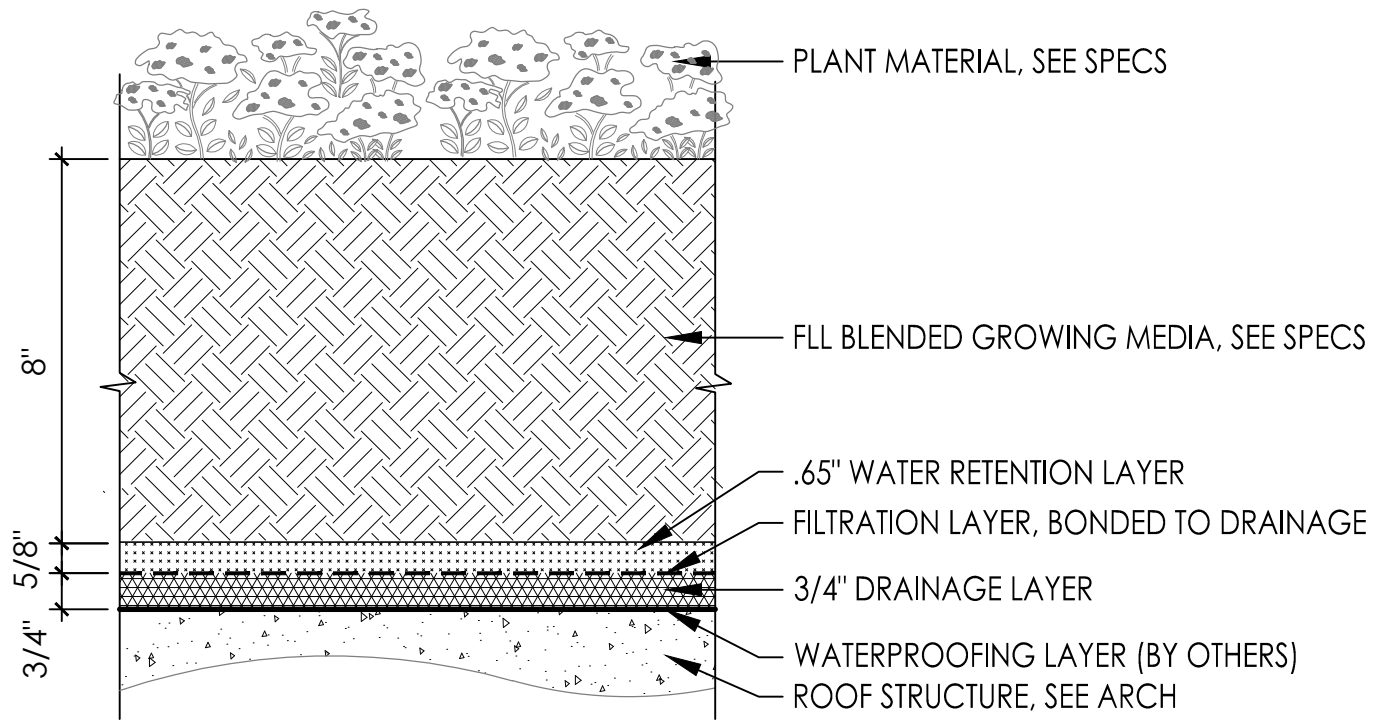
6" SEMI-INTENSIVE LAYERED GREEN ROOF

LAYERED SYSTEM

DETAIL SCALE: 3"=1'-0"

ISSUE DATE: 04/03/2014





NOTE:

1. SYSTEM COMPONENTS ARE SHOWN AT NOMINAL SIZE, COMPRESSION WILL OCCUR AT RETENTION LAYER BASED ON AMOUNT (HEIGHT/VOLUME) OF GROWING MEDIA PLACED ON SYSTEM. MAXIMUM COMPRESSION  $\frac{1}{8}$ "  $\pm$ .



LGR1.02c

8" SEMI-INTENSIVE LAYERED GREEN ROOF

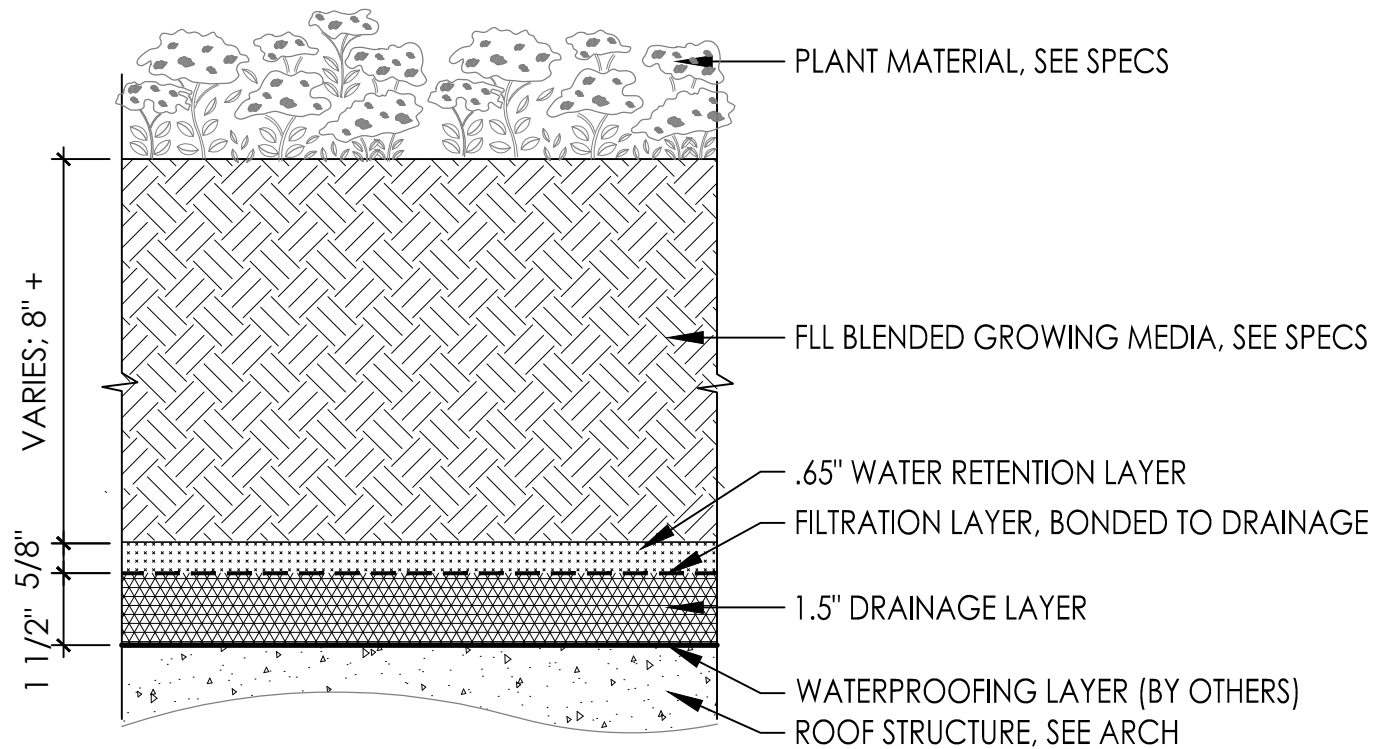
LAYERED SYSTEM

DETAIL SCALE: 3"=1'-0"

ISSUE DATE: 05/08/2014







**NOTE:**

1. SYSTEM COMPONENTS ARE SHOWN AT NOMINAL SIZE, COMPRESSION WILL OCCUR AT RETENTION LAYER BASED ON AMOUNT (HEIGHT/VOLUME) OF GROWING MEDIA PLACED ON SYSTEM. MAXIMUM COMPRESSION  $\frac{1}{8}$ "  $\pm$ .



LGR1.03a

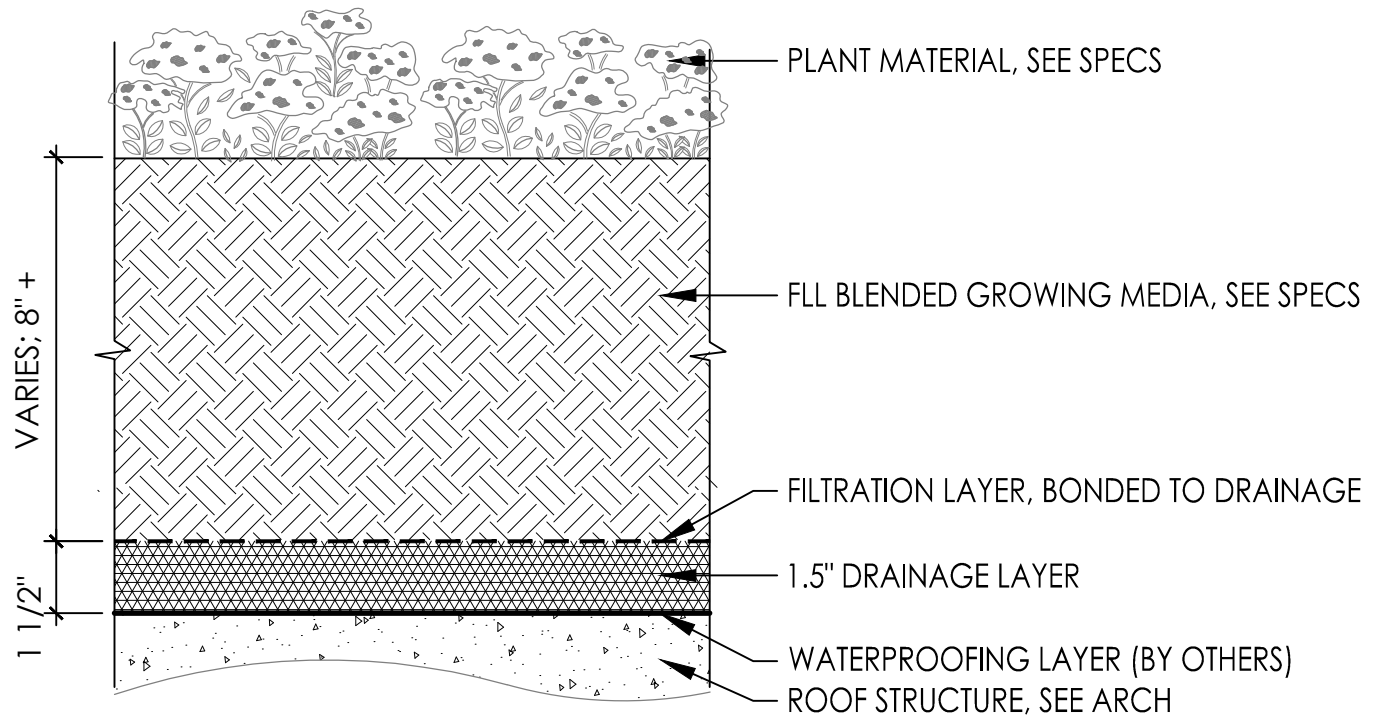
**INTENSIVE LAYERED GREEN ROOF**

LAYERED SYSTEM

DETAIL SCALE: 3"=1'-0"

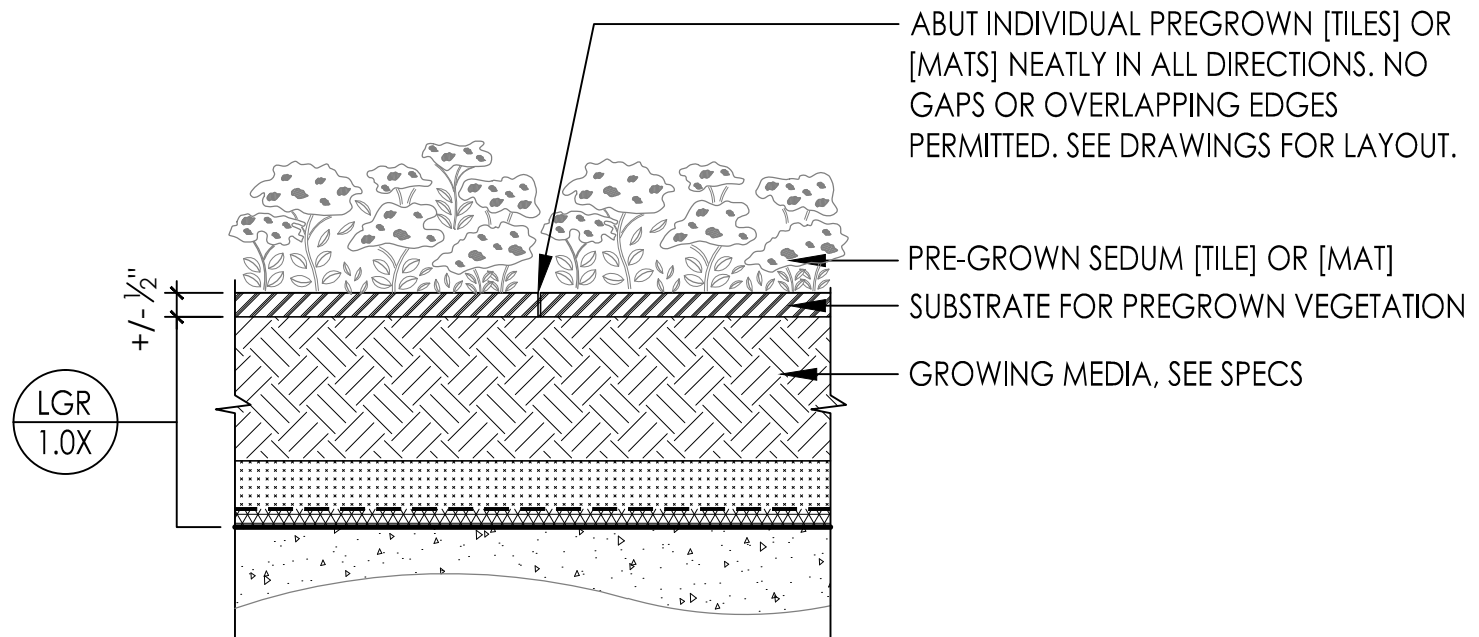
ISSUE DATE: 04/03/2014





NOTE:

1. SYSTEM COMPONENTS ARE SHOWN AT NOMINAL SIZE, COMPRESSION WILL OCCUR AT RETENTION LAYER BASED ON AMOUNT (HEIGHT/VOLUME) OF GROWING MEDIA PLACED ON SYSTEM. MAXIMUM COMPRESSION  $\frac{1}{8}" \pm$ .



LGR2.01

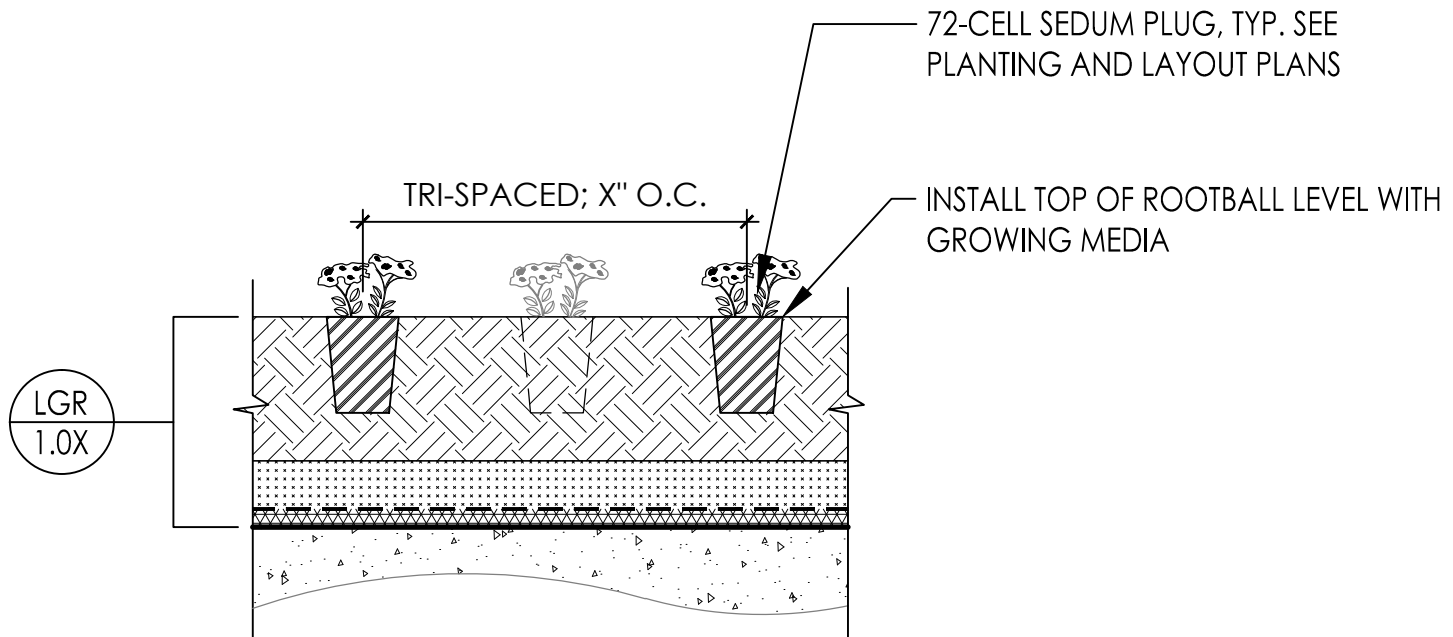
PLANTING METHOD: SEDUM TILE/MAT

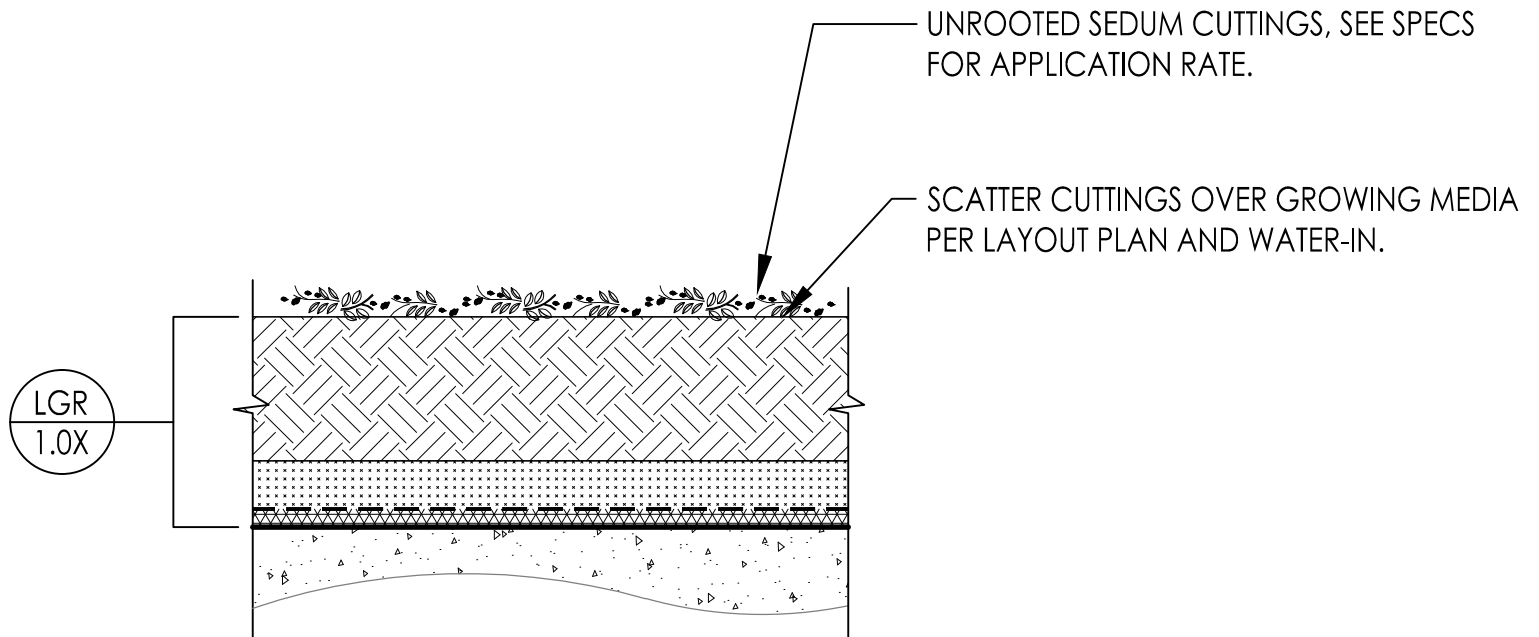
LAYERED SYSTEM

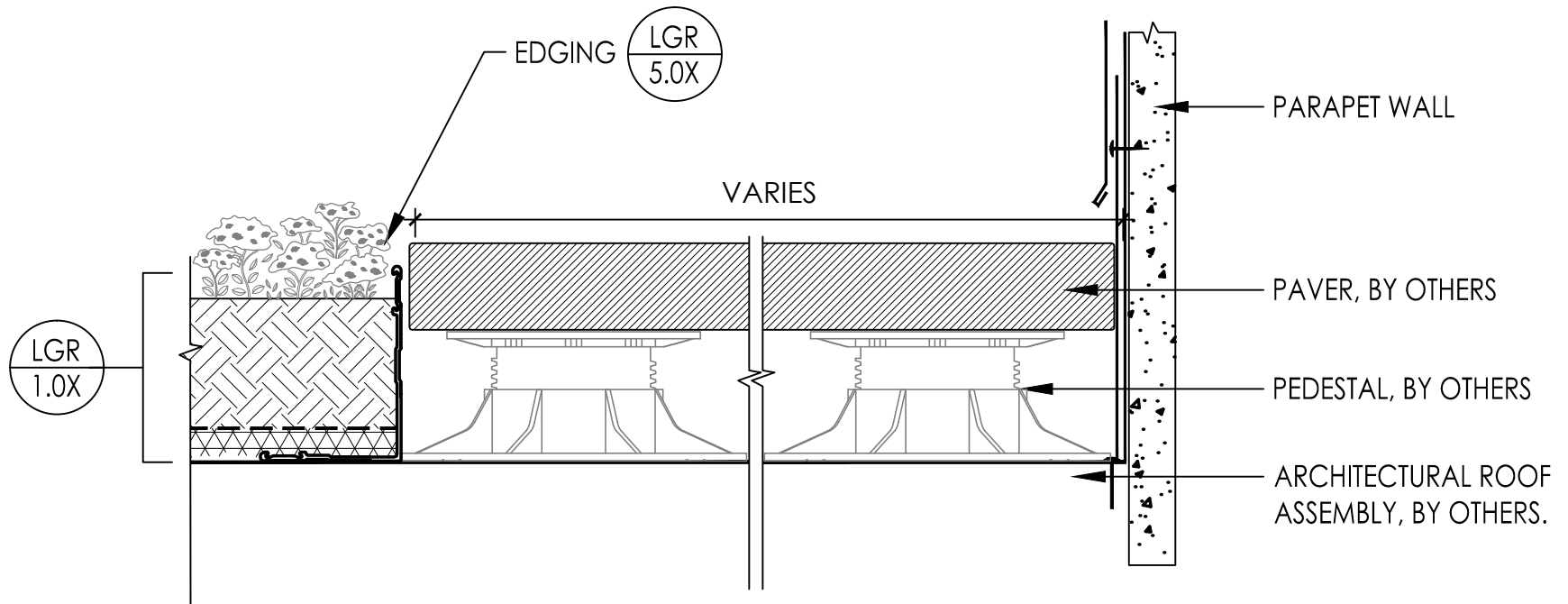
DETAIL SCALE: 3"=1'-0"

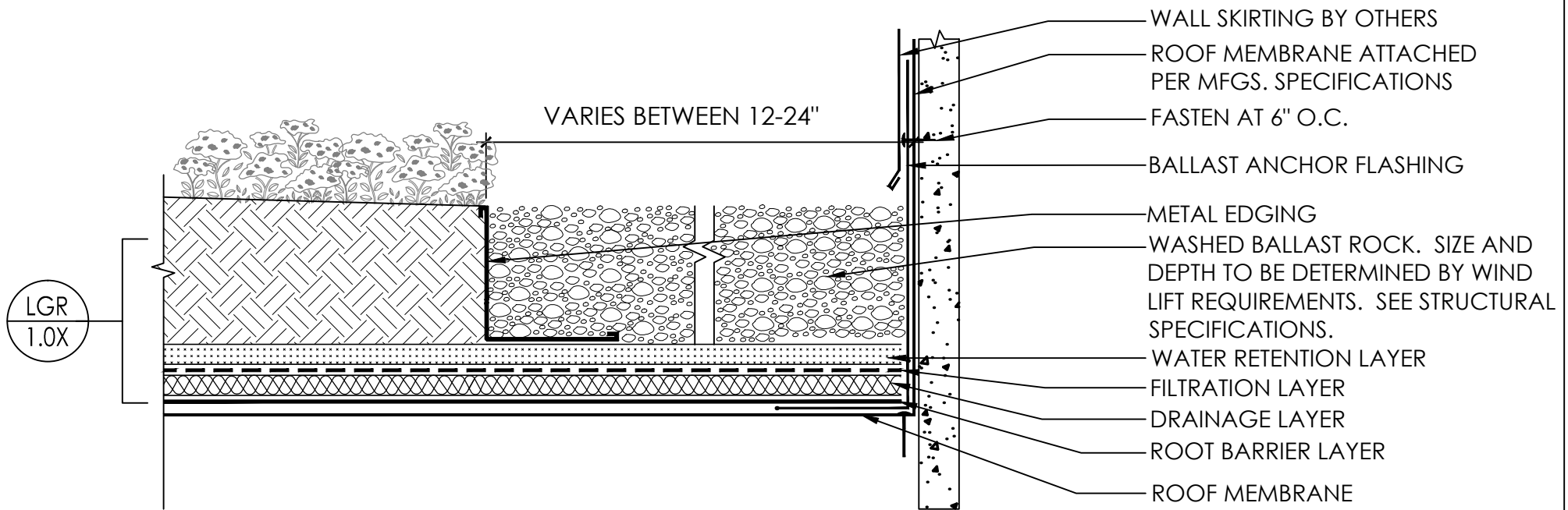
ISSUE DATE: 05/08/2014











LGR3.02

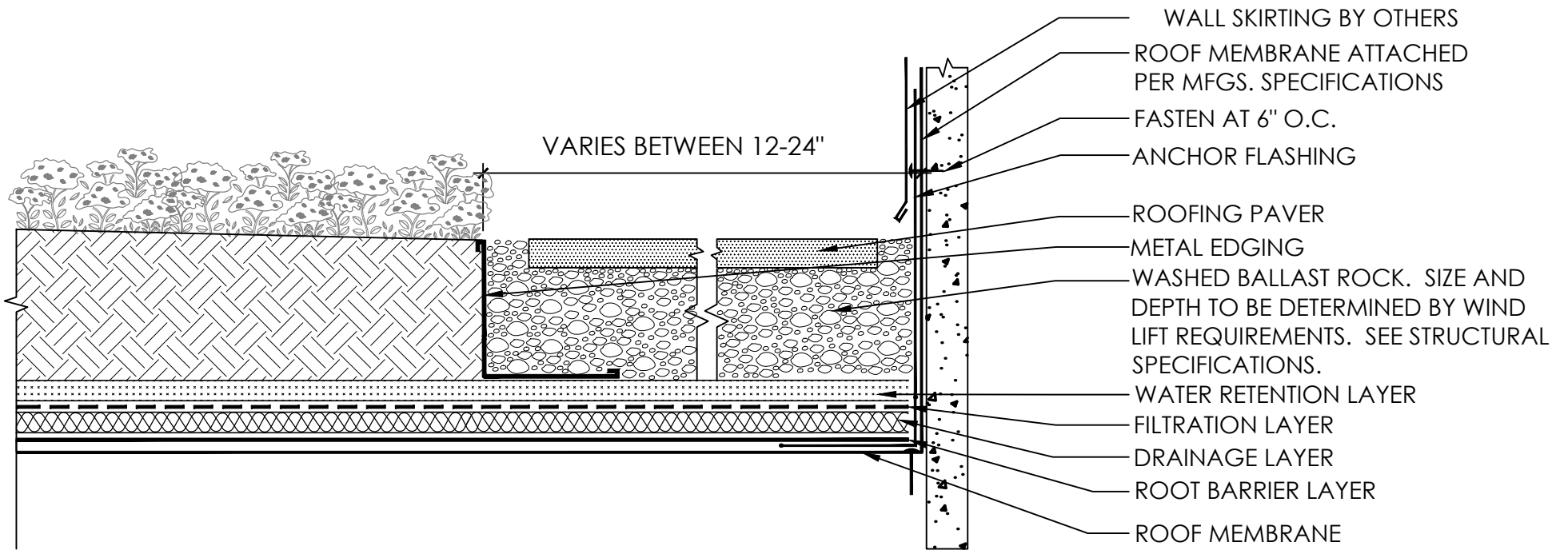
VEGETATION FREE ZONE: ROCK BALLAST

LAYERED SYSTEM

DETAIL SCALE: 3"=1'-0"

ISSUE DATE: 05/08/2014





LGR3.03

VEGETATION FREE ZONE: PAVERS

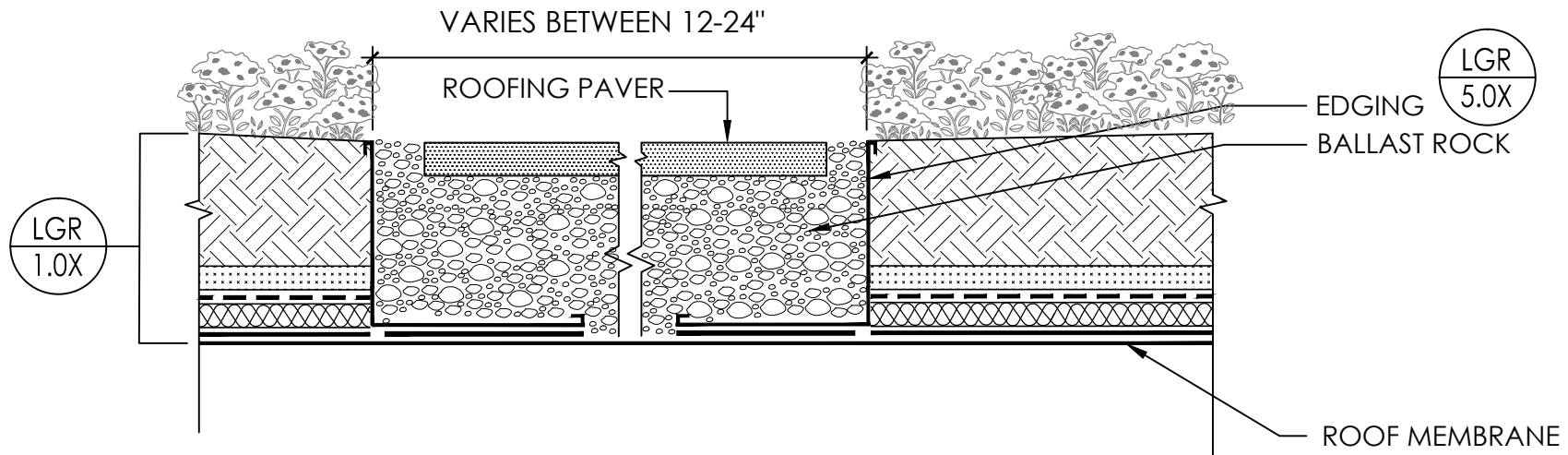
LAYERED SYSTEM

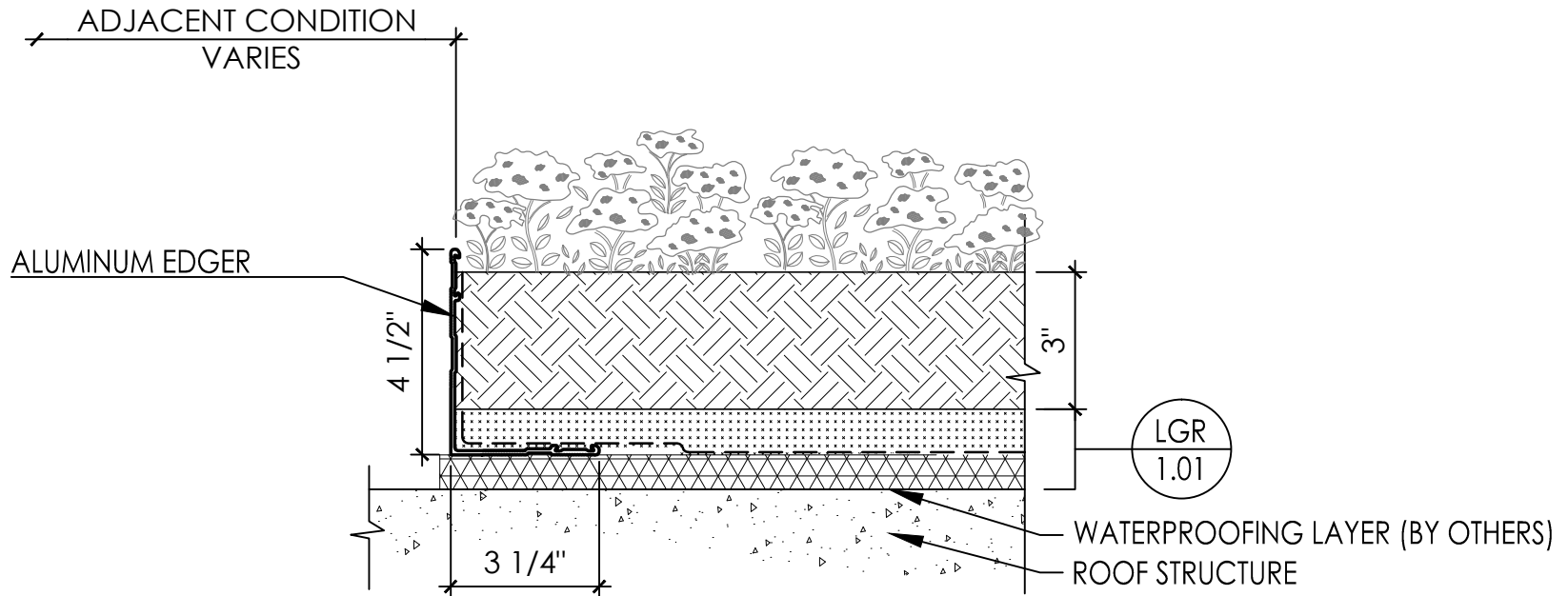
DETAIL SCALE: 3"=1'-0"

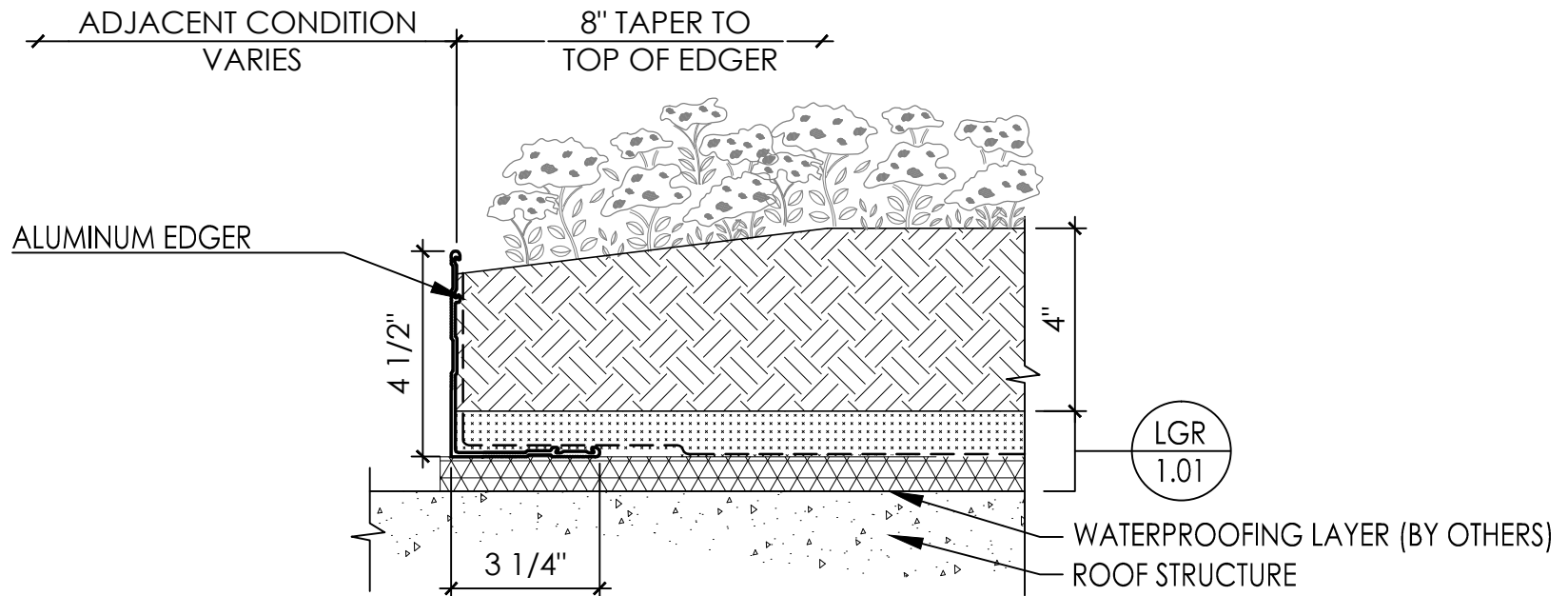
ISSUE DATE: 05/08/2014

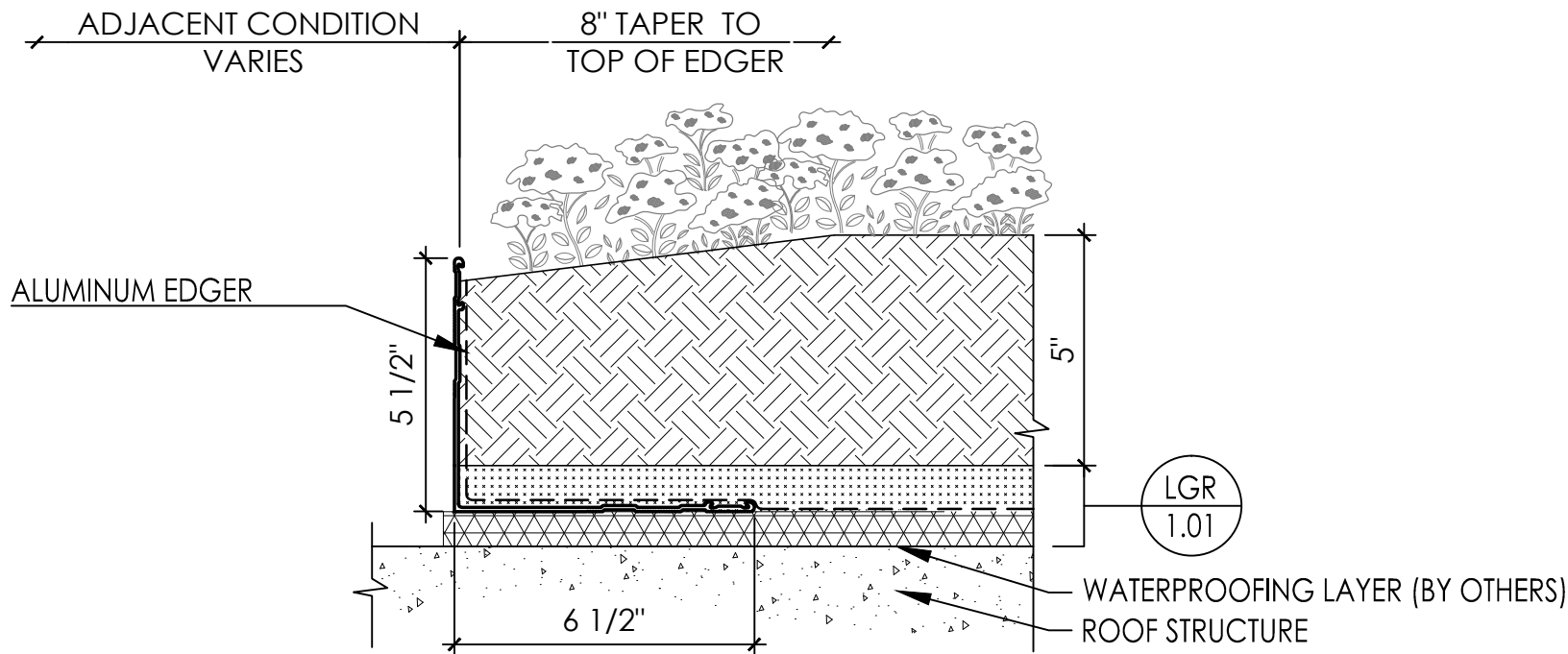












LGR5.03

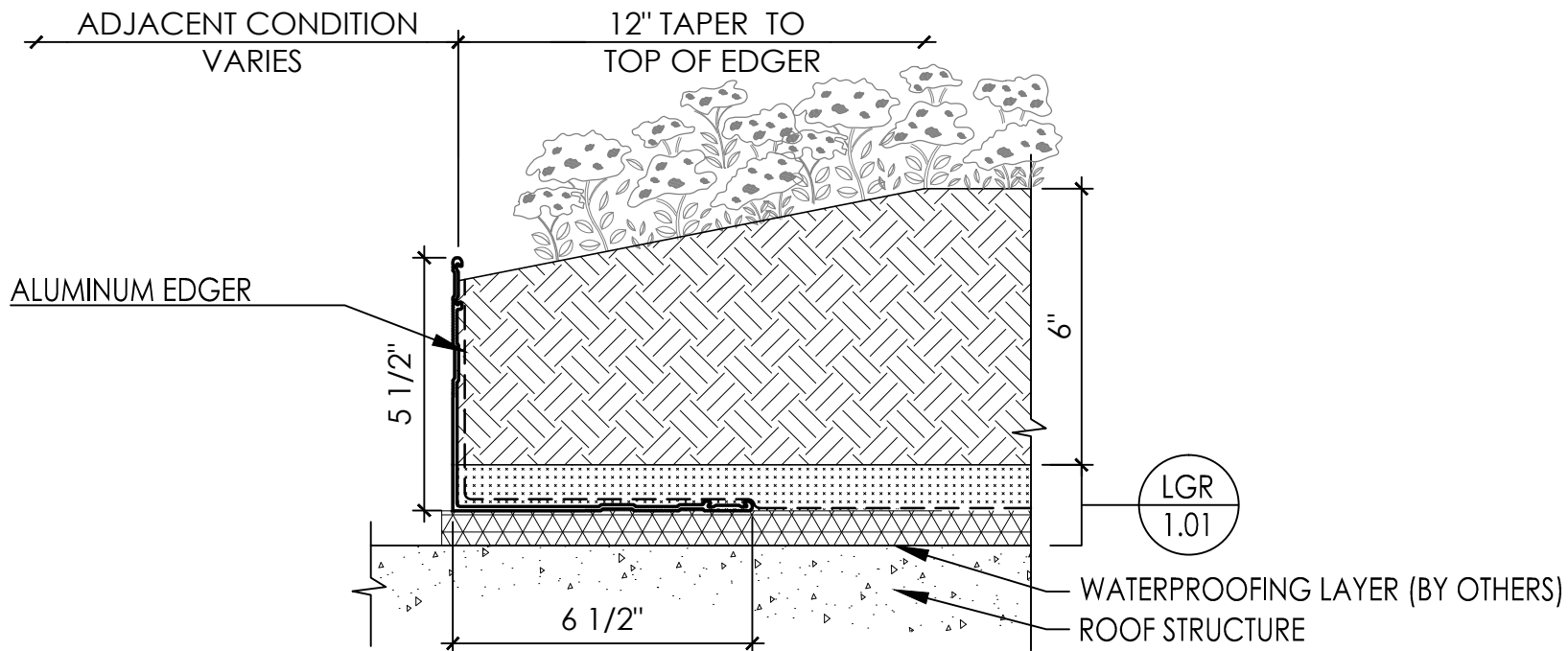
METAL EDGER: 5.5" X 6.5"

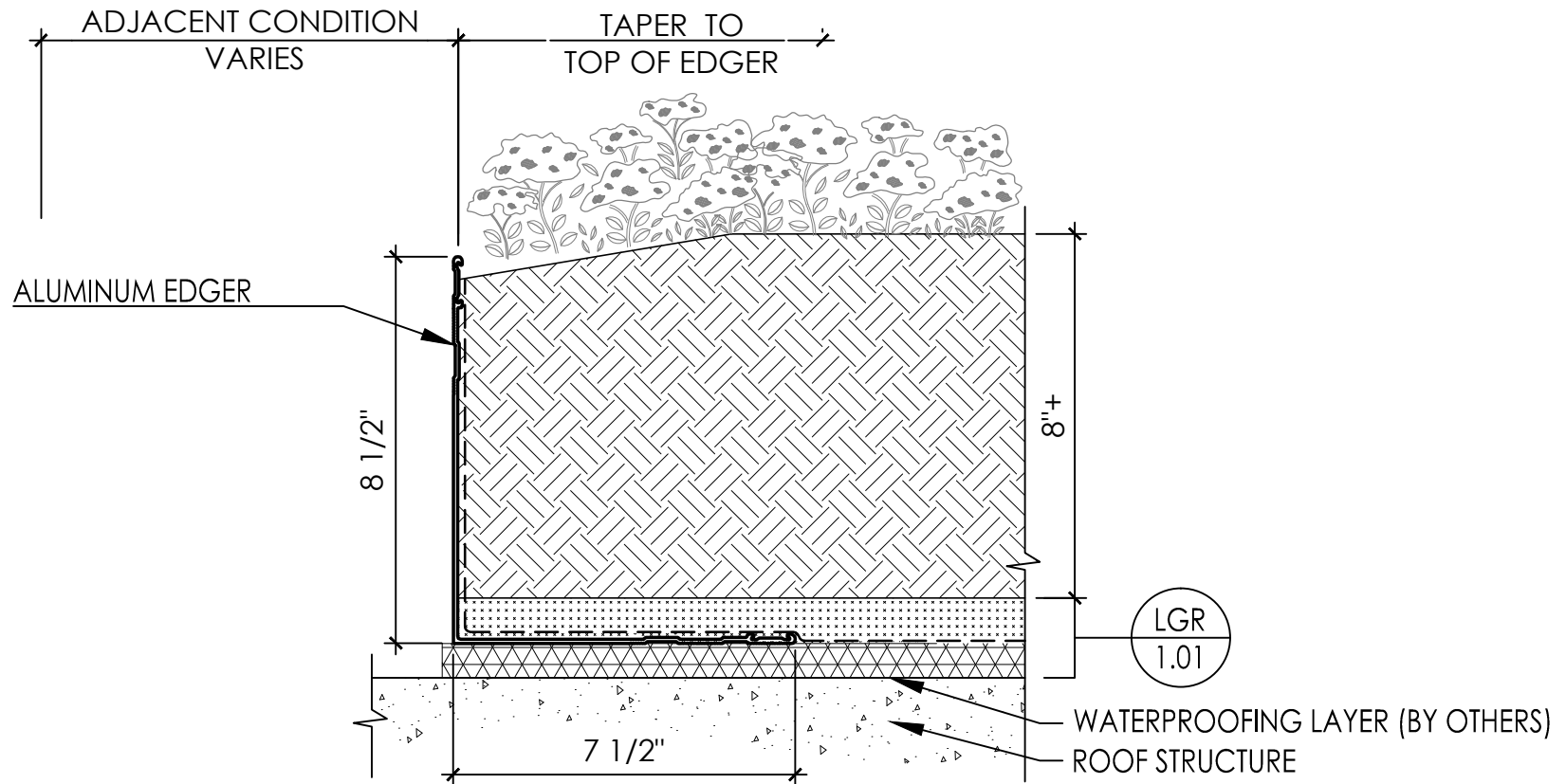
LAYERED SYSTEM

DETAIL SCALE: 3"=1'-0"

ISSUE DATE: 05/08/2014







LGR5.05

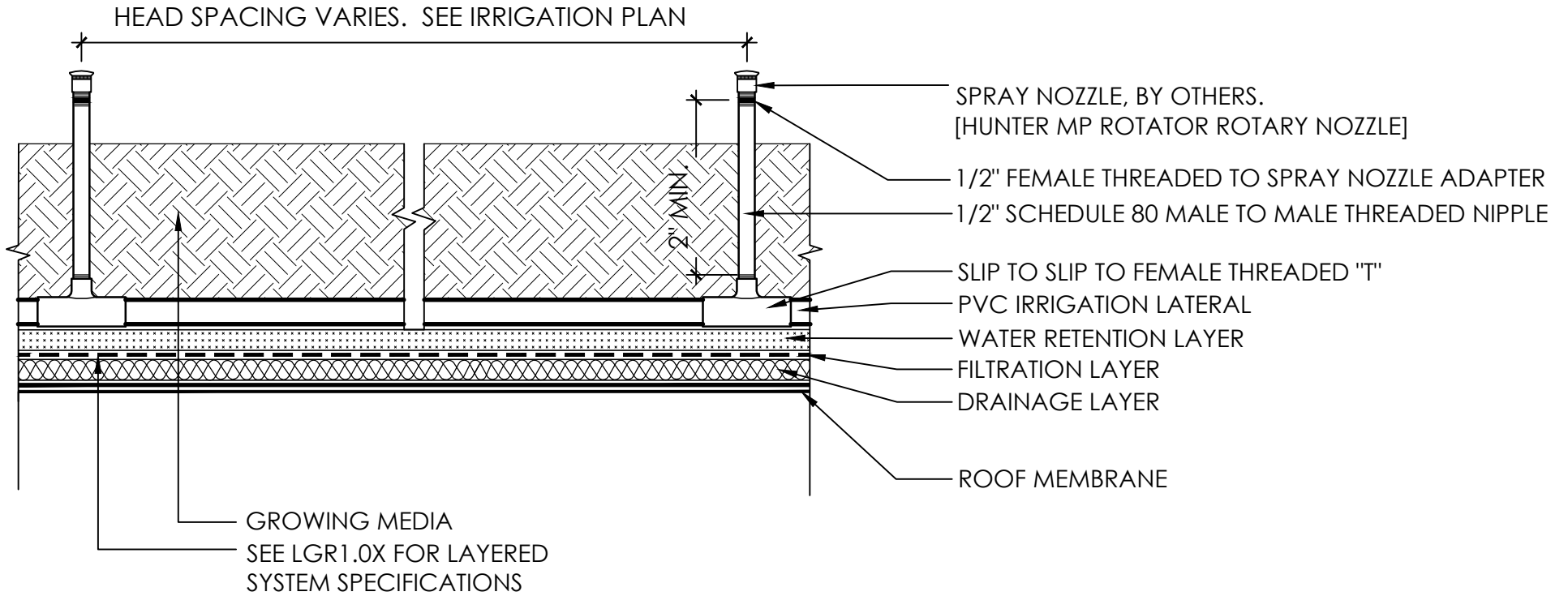
METAL EDGER: 8.5" X 7.5"

LAYERED SYSTEM

DETAIL SCALE: 3"=1'-0"

ISSUE DATE: 05/08/2014





LGR6.01

SPRAY IRRIGATION

LAYERED SYSTEM

DETAIL SCALE: 3"=1'-0"

ISSUE DATE: 05/08/2014

